

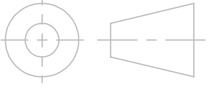
4

3

2

1

THIRD ANGLE PROJECTION



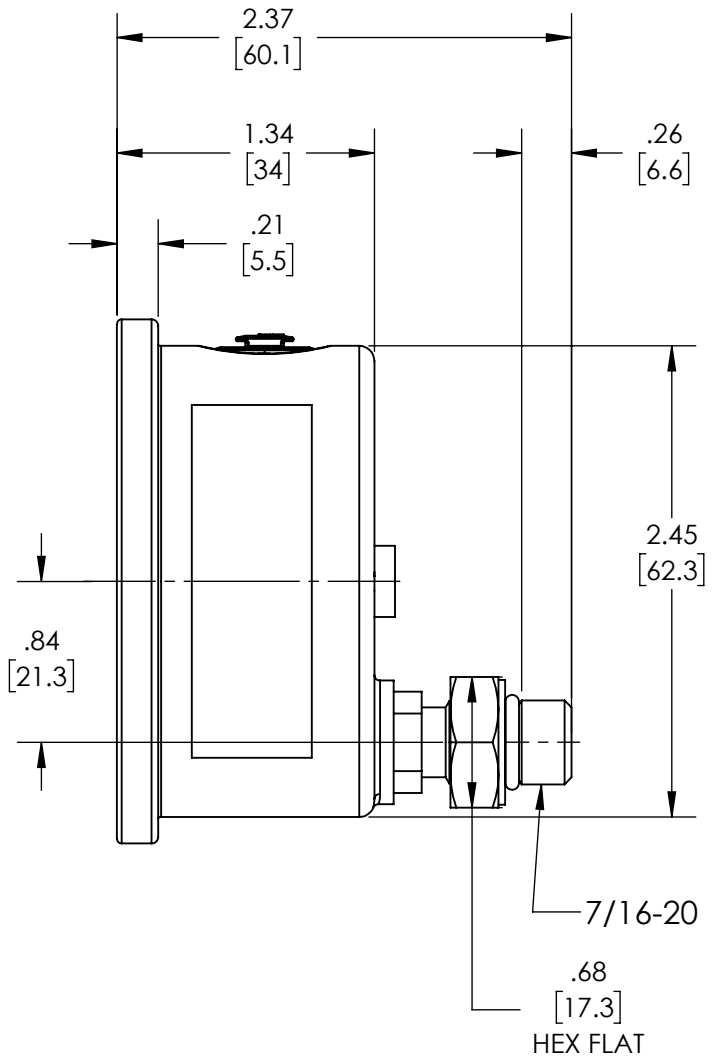
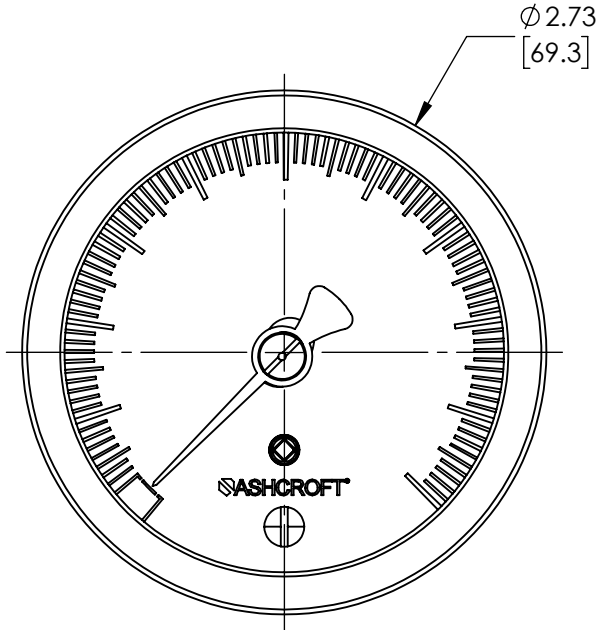
THIS DRAWING INCLUDES CONFIDENTIAL INFORMATION WHICH IS THE PROPERTY OF ASHCROFT INC. THIS COPY IS LOANED FOR A SPECIFIC PURPOSE, WITH THE UNDERSTANDING THAT IT WILL NOT BE REPRODUCED OR USED FOR ANY OTHER PURPOSE OR DISCLOSED TO OTHERS, AND IT WILL BE RETURNED ON DEMAND.

**ASHCROFT**

250 EAST MAIN STREET STRATFORD, CT 06614

D

D



C

C

B

B

A

A

REV.	ECO	DESCRIPTION	BY	DATE
A	0011387	RELEASED	AS	5/1/2020

THIS PRINT CERTIFIED CORRECT FOR:

CUSTOMER NAME

GENERAL DIMENSIONS  
63 1008 RWL SERIES

CUSTOMER ORDER NO.:	DRAWN	DATE	DATE OF ISSUE	
ASHCROFT ORDER NO.:		AS	5/1/2020	REV.
CERTIFIED BY:	DATE:		<b>070A4419</b>	<b>A</b>

4

3

2

1