

1032 2" Fractional Sanitary Pressure Gauge

FEATURES

- FlutterGuard™ option reduces movement wear and eliminates pointer flutter
- Heat Lot Traceable material certificates

TYPICAL USES

- Specialized OEM Equipment
- Filtration
- Food and Dairy
- Pharmaceutical
- Biotech
- Medical Equipment
- Calibration Labs
- Field Inspection

SPECIFICATIONS

Accuracy: ±3% of Span (Upscale)
±5% of Span (Downscale)

Size: 2"

Process Connection Location: Lower

Process Connection Size: ¾" Tri-Clamp®

Ranges: Compound to 600 psi

Case Style: SS

Movement: 300 SS

Dampening: Flutterguard™

Pointer: Black aluminum

Window: Glass

Approvals: CRN & ROHS

WETTED COMPONENTS

Diaphragm	Seal Housing	Joints
316L SS Electropolished	316L SS Electropolished	Welded

NON-WETTED COMPONENTS

Case	Ring	Dial
300 SS	300 SS	Aluminum



1032 Fractional
2" (50mm) dial size



KEY BENEFITS

- Compact design
- Electropolished diaphragm and housing
- USP grade glycerin (99.5% pure, system fill)

Data Sheet

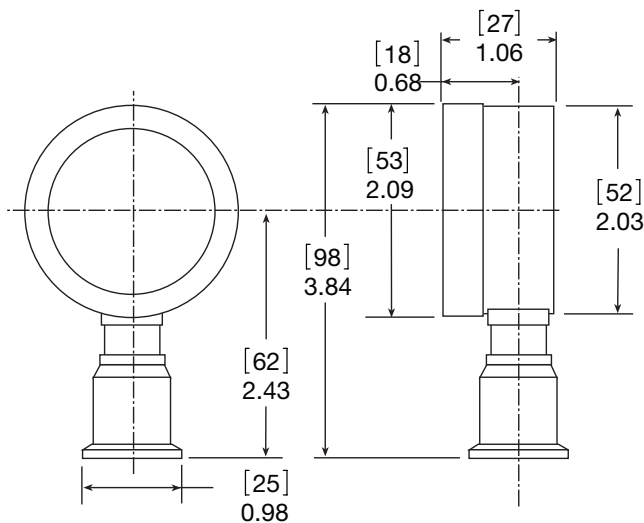
1032 2" Fractional Sanitary Pressure Gauge

ORDERING CODE	Example:	201032	S		75	L	-XC4	100#
Dial Size/Model								
201032 - 2"		201032						
System			S					
S - 316L SS tube and process connection								
Case Fill								
Blank - Dry gauge								
Process Connection Size					75			
75 - 3/4" Tri-Clamp®								
Process Connection Location						L		
L - Lower								
Options (If choosing an option(s) must include an "X")							-X _ _	
C4 - Individual calibration chart (in accordance with ASME B40.100:2013. Accuracy of unit traceable to NIST)								C4
NH - SS tag wired to case								
PD - Polycarbonate window								
SG - Safety glass								
ZY - FlutterGuard™								
6W - Cleaned for gases other than oxygen								
MQ - Positive Material Identification (PMI) (Diaphragm and top housing only)								
Range (Coding examples only)								
30 IMV/30# - Compound Gauge with a Vacuum (30 IMV)/ 30 psi								
100# - 100 psi								100#

*Tri-Clamps are not included. Tri-Clamp® is a registered trademark of Alfa Laval Inc.

DIMENSIONS in [] are millimeters

For reference only, consult Ashcroft for specific dimensional drawings



STANDARD PRESSURE RANGES

	psi
Compound	30IMV&30#
	30IMV&45#
	30IMV&60#
	30IMV&100#
	30IMV&150#
	30IMV&300#
Positive Pressure	30#
	60#
	100#
	160#
	200#
	300#
	400#
600#	

Other ranges on application