

Type 1131 – 2½", 3½", 4", 4½" & 6" Differential Gauge



- *Rolling diaphragm actuator*
- *Stainless steel case*
- *Ranges from 5 psid-100 psid*
- *Static pressures up to 3000 psi*
- *Aluminum⁽³⁾, brass or stainless steel bodies⁽¹⁾*
- *Buna-N Diaphragm & O-rings (others available)*
- *Superior magnets for smoother power motion*
- *Standard or explosion-proof reed switches available*
- *5-year warranty*

The Type 1131 is utilized for applications where migration of the process media is not permissible. The Type 1131 uses a rolling diaphragm design to separate the high and low-pressure ports to isolate the media and can see up to 3000 psi static pressures. Body materials are available in Aluminum, Brass and Stainless Steel, with Buna, Viton or EPDM seals.⁽²⁾

NOTES:

- (1) Not for use with incompatible media.
- (2) Other wetted parts include stainless steel spring, Teflon piston and ceramic magnet.
- (3) Aluminum bodies not to be used with water or corrosive applications.
- (4) Gauge not designed to see reverse pressure.
- (5) Never pressurize only the low side beyond 25 bar.

PRODUCT SPECIFICATIONS

Model Number:	1131
Accuracy (Ascending):	±2%
Migration:	Zero
Ranges:	0-5 psid to 100 psid
Maximum Static Pressure:	3000 psi (all)
Actuator:	Rolling diaphragm
Case Material:	Stainless steel
Dial Size:	2½" (25), 3½" (35), 4" (40), 4½" (45), 6" (60)
Maximum Process Temp.:	175°F/80°C
Body Materials:	Aluminum (F), brass (A), stainless steel (S)
O-Rings/Diaphragm:	Buna-N
Connection Size (Female):	¼ NPT (25)
Connection Location:	In-Line (S), Lower (L), Back (B)
Window:	Glass

PRODUCT OPTIONS

Switches⁽¹⁾:	Available
¼ NPTF Adaptor:	XGE Available
Front Flange:	XFF Available
Viton Diaphragm & O-Rings:	XVD Available
EPDM Diaphragm & O-Rings:	XEM Available
Fill⁽³⁾:	
Glycerin	L Standard
Silicone	XGV Available

Window:	
Plastic	XPD Available
Explosion Proof:	XEK Available ⁽²⁾

Pipe Mounting Bracket: XTM In-line (only)

(1) Applicable to switches:

- XV1 – 1 SPST with DIN plug
- XV2 – 1 SPST with terminal strip
- XV3 – 2 SPST with DIN plug
- XV4 – 2 SPST with terminal strip
- XV5 – 1 SPDT with DIN plug
- XV6 – 1 SPDT with terminal strip
- XV7 – 2 SPDT with DIN plug
- XV8 – 2 SPDT with terminal strip

Adjustable from 30-100% of range

Preset at 90% ascending

Terminal or DIN connected switches are not available

with back connection

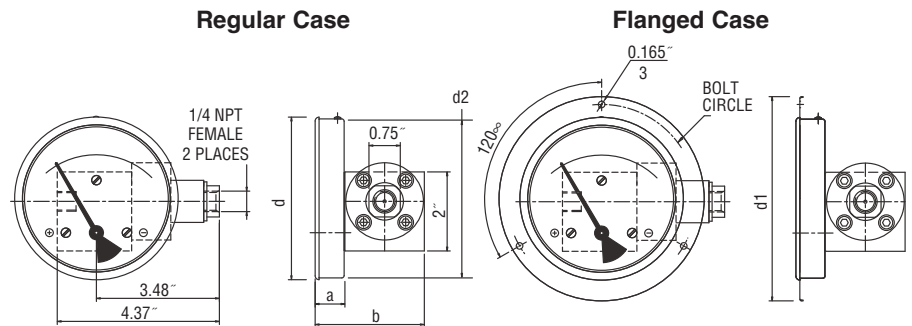
(2) Specify lower or back connection for gauge (not available in-line) and switch type V2, V4, V6, V8

(3) Liquid fill has an effect on accuracy that varies with range and temperature. Liquid filling may be required only in some very severe applications.

HOW TO ORDER:

Dial Size: 2½", 3½", 4", 4½" & 6"	25	1131	FD	25S	XXX	30#
Case Type Number: 1131						
Body Material						
Connection Size: ¼ NPTF (25)						
Connection Location: In-line (S), Lower (L), Back (B)						
Optional Features: see above						
Standard Pressure Range						

Type 1131 – 2½", 3½", 4", 4½", & 6" Differential Gauge



Type 1131 Dimension Drawing

Dial Size	a	b	d	d ¹	d ²	Bolt Circle
2.5"	0.75"	2.74"	2.59"	3.66"	2.55"	3.26"
3.5"	0.75"	2.74"	3.26"	4.29"	3.22"	3.89"
4"	0.75"	2.74"	4.10"	5.15"	4.01"	4.76"
4.5"	0.75"	2.74"	4.71"	5.74"	4.60"	5.35"
6"	0.75"	2.74"	6.07"	7.12"	6.00"	6.73"

Type 1131 – Standard Ranges

psi		0-5	0-7	0-10	0-15	0-25	0-30		0-40	0-60	0-100
kPa	0-25		0-50	0-75	0-100		0-200	0-250		0-400	0-700
kg/cm ² -bar	0-0.25		0-0.5	0-0.75	0-1		0-2	0-2.5		0-4	0-7

Ratings for Both Standard & Explosion Proof Switches:

SPST SWITCH

Specifications:

Contact Rating
10 VA ac (rms) or dc (max)
Switching Current
0.5 Amp ac (rms) or dc (max)
Switch Voltage
100 Vac/Vdc (max)

SPDT SWITCH

Specifications:

Contact Rating
3 VA ac (rms) or dc (max)
Switching Current
0.3 Amp ac (rms) or dc (max)
Switch Voltage
30 Vac/Vdc (max)

Explosion Proof Switches Information:

Switches and electrical connections are mounted in an explosion-proof enclosure with UL, CSA, Cenelec and FM approval. The enclosure meets Class 1, Groups B, C, D, Class 2 Groups E, F, G, Class 3, NEMA 7 & 9 and IP 66. Two ¾" electrical conduit connections.