

Type 5503 Differential Pressure Gauge



- $\pm 1.6\%$ full scale accuracy
- Stainless steel case
- Nace compliant option
- Available with custom flow monitoring dials
- 1450 psi static pressure standard with optional static pressure to 5801 psi
- External zero adjust
- Optional liquid-filled case
- 4" (100mm) or 6" (160mm) dial sizes

The Ashcroft® Type 5503 differential pressure gauge is available with ranges from 10 I.W.D. to 600 psi with optional static pressure to 5801 psi. Optional wetted parts includes Hastelloy C. Typical applications include chemical, petrochemical power, food & beverage and the pulp and paper industries.

PRODUCT SPECIFICATIONS

Model Number:	5503
Accuracy:	$\pm 1.6\%$ full scale
Dial Size:	4" (100mm) or 6" (160mm)
Ranges:	0-30 IWD (inches of water differential) to 300 psid
Static Pressure:	1450 psi standard Optional 3625 psi ranges <10 psid 5801 psi ranges >10 psid
Case Material:	304 SS open front case with a bayonet ring; (316 SS case and ring optional)
Window:	Shatterproof glass
Dial:	White painted aluminum
Pointer:	Black painted aluminum with external adjust feature standard (to 25% of range)

Diaphragm Material:	316 stainless steel for ranges of 5 psi and below. High strength cobalt alloy (Duratherm 600) for ranges of 10 psi and above
Housing Material:	316 SS with a Viton® O-ring
Mounting:	Stem, wall or pipe
Connection Size:	1/4, 1/2 NPT
Purge & Bleed Connection:	Standard on top of each pressure chamber (G1/8 with plug)

Connection

Location: Lower

OPTIONAL FEATURES

316 SS case and ring	(XYW)
Glycerin fill - Standard	(L)
Silicone fill - Optional	(XGV)
Weatherproof/Hermetically sealed case (IP65)	(XLJ)
Static pressure to	(XSP)
3625 psi (ranges <10 psid)	
5801 psi (ranges >10 psid)	
Wall mounting bracket	(XFW)
Pipe mounting bracket (Available for ranges 5 psid and above.)	(XTM)
3-way manifold	(X43)
Hastelloy C diaphragm with 316 SS housing ⁽¹⁾	(HS)
Hastelloy C diaphragm and housing	(HH)
Ranges 60 psid and above	
NACE compliant	
Electric Warning Contacts ⁽²⁾	
High and Low	(XED)
Double High	(XEE)
Double Low	(XEF)
Oxygen cleaning	(X6B)

⁽¹⁾ Only available with 1450 psi static pressure.

⁽²⁾ Specify contact arrangement.

Specify if magnetic or inductive contacts.

Temperature Limits

Process: -20/185°F

Ambient: -20/185°F

Storage: -20/185°F

Viton® is a registered trademark of DuPont Co.

TYPE 5503 PRODUCT CODING

Typical Code:

10		5503	S	S	-	04	L	XNH	100#
SIZE	TYPE NUMBER	DIAPHRAGM MATERIAL	HOUSING MATERIAL	LIQUID FILL CASE	CONNECTION SIZE	CONNECTION LOCATION	VARIATIONS	RANGE PSID*	
Code (10) 100 (16) 160	5503	Code (S) 316 SS (ranges 5 psid and below, Duratherm 600 hi strength cobalt alloy for ranges 10 psid (H) Hastelloy C	Code (S) 316 SS (H) Hastelloy C	Code (L) Optional (L) Liquid Filled Case	Code (02) 1/4 (04) 1/2 (15) G 1/2 B Male (25) 1/4 NPTF (50) 1/2 NPTF	Code (L) Lower	(NH) SS Wired Tag (6B) Oxygen Service (YW) 316SS Case (AJ) Accuracy .5% Upscale (DA) Dial Marking (FW) Wall Mounting Bracket (TM) 2" Pipe Mounting Bracket (LJ) Field Fillable (AT) ATEX Listed (C3) Material Certificate to EN 10204 3.1 (C4) Individual Calibration Chart (C4) NACE Compliance*	10IW 30IW 60IW 100 200IW 3 5 10 15 30 60 100 200 300 400 600	

*Except where noted below. See datasheet for additional units of measure.

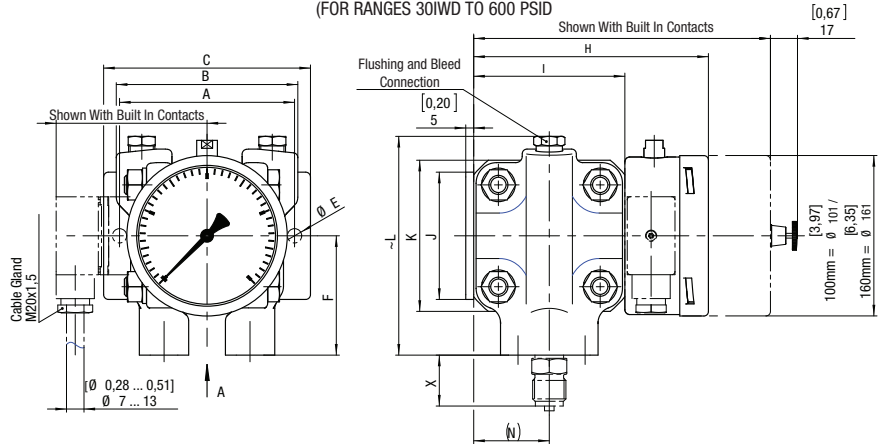
Type 5503 Differential Pressure Gauge

STANDARD RANGE TABLE*			
psid	mBar	bar	I.W.D.
3	40	0.6	10
5	60	1.0	16
10	100	1.6	30
15	160	2.5	60
30	250	4	100
60	400	6	200
100		10	
160		16	
200		25	
300			
400			
600			

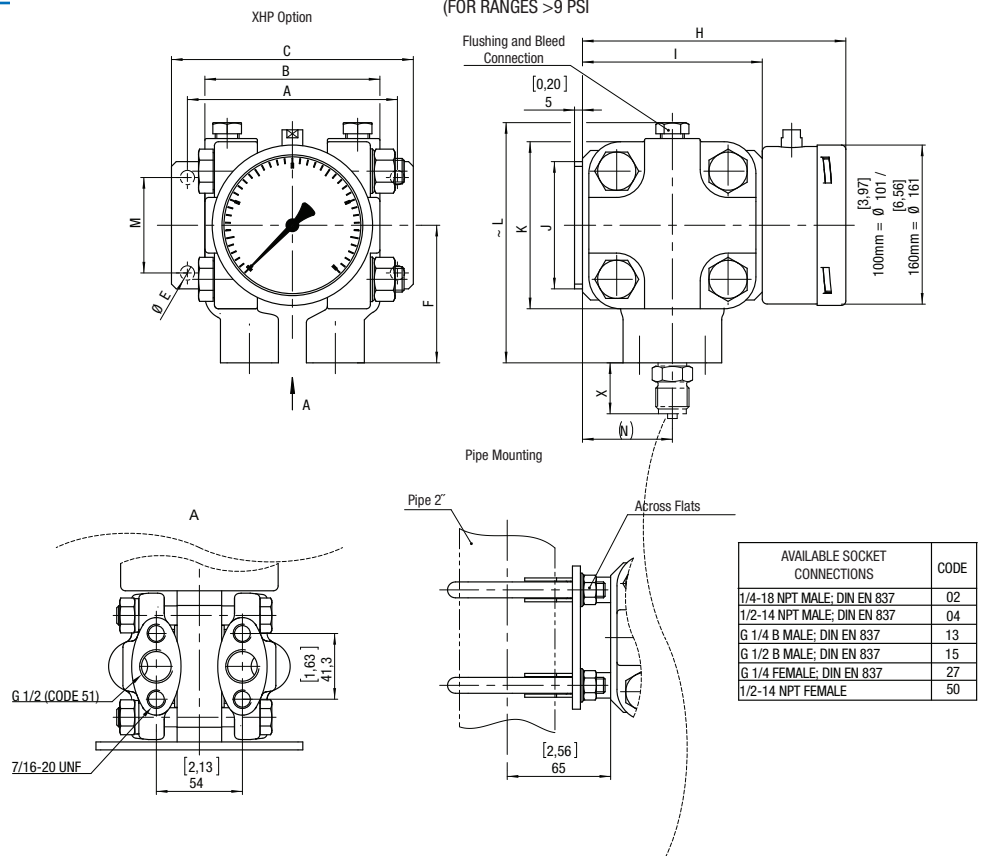
WEIGHT (lbs)		
	100mm	160mm
For ranges ≤ 5 psid		
Dry	20	21
Liquid Filled	21	22
For ranges ≥ 10 psid		
Dry	9	10
Liquid Filled	10	11

DIMENSIONS

FOR MAXIMUM STATIC PRESSURE 1450 PSI
(FOR RANGES 30IWD TO 600 PSID)



FOR MAXIMUM STATIC PRESSURE 5801 PSI
(FOR RANGES >9 PSI)



AVAILABLE SOCKET CONNECTIONS	CODE
1/4-18 NPT MALE; DIN EN 837	02
1/2-14 NPT MALE; DIN EN 837	04
G 1/4 B MALE; DIN EN 837	13
G 1/2 B MALE; DIN EN 837	15
G 1/4 FEMALE; DIN EN 837	27
1/2-14 NPT FEMALE	50

	A	B	C	D	E	F	G	H	I	J	K	~ L	M	(N)
60 ÷ 400 mbar MAX. PN100	[5,20] 132	[4,25] 108	[5,98] 152	[4,72] 120	[0,35] 4 x 0.9	[3,94] 100	[9,43] 239.5	[7,62] 193.5	[5,55] 141	[3,15] 80	[5,55] 141	[7,11] 181	[2,36] 60	[2,78] 70.5
MAX. PN250	[6,69] 170	[5,83] 148	[7,87] 200	-	[0,43] 4 x 0.11	[4,72] 120	-	[8,96] 227.5	[6,89] 175	[3,94] 100	[6,69] 170	[8,62] 219	[2,36] 60	[3,44] 87.5
0.6 ÷ 25 bar MAX. PN400	[5,20] 132	[4,33] 110	[5,98] 152	-	[0,35] 2 x 0.9	[3,41] 86.5	-	[6,52] 165.5	[4,45] 113	[3,15] 80	[4,13] 105	[5,94] 151	-	[2,22] 56.5