

SB Subsea Pressure Gauge

FEATURES

- Depths to 6000 meters
- All-Stainless steel design
- Meets RVA calibration standards

TYPICAL USES

- Offshore drilling
- Hyperbaric conditions
- Specialized deep depth



SB Gauge

100mm dial size

SPECIFICATIONS

Accuracy:	±1.0% of span (100, 140, 160mm) ±1.6% of span (63mm)
Case Size:	63, 100, 140, 160mm
Range:	15 psi to 20,000 psi (63mm) 90 psi to 20,000 psi (100, 140, 160mm)
Process Connection Location:	Lower, back
Process Connection:	NPT or BSP: ¼" (63mm), ½" (100, 140, 160mm)
Case Style:	Open front (Solid drilled bar stock)
Window Thickness:	63mm dial size: 15mm (1200 meter) 20mm (2000 meter)
	100mm dial size: 20mm
	160mm dial size: 40mm
Movement:	304 Stainless steel
Dial:	Aluminum, white background, black scale
Pointer:	Black, aluminum
Weather Protection:	IP68
Mounting:	Direct, panel or surface
Operating Temperature:	40°F to 120°F (4°C to 50°C)
Approvals:	CE

KEY BENEFITS

- Provides measurement in extreme undersea depths
- Corrosion resistant construction

NON-WETTED COMPONENTS

Case	316L Stainless steel
Screwed Bezel Ring	316L Stainless steel

WETTED COMPONENTS

Bourdon Tube	316L Stainless steel
Pressure Connection	316L Stainless steel

SB Subsea Pressure Gauge

ORDERING CODE	Example:	63SB	B	S	D	02	L	160#	-XDA
Case Size/Model Code									
63SB - SB Subsea Gauge, 63mm		63SB							
10SB - SB Subsea Gauge, 100mm									
14SB - SB Subsea Gauge, 140mm									
16SB - SB Subsea Gauge, 160mm									
Depth (≤)									
A - 1200 Meters (63mm Size)									
B - 2000 Meters (63mm Size)			B						
C - 900 Meters (100mm Size)									
F - 4000 Meters (100mm Size)									
D - 450 Meters (160mm Size)									
G - 6000 Meters (140mm Size)									
System Tube									
S - 316L Tube & process connection				S					
Fill Fluid									
D - Dry (available for pressures ≤ 160 psi, N/A with depth selections F and G)					D				
G - Glycerin									
S - Silicone									
Process Connection Sizes									
02 - ¼ NPT Male (63mm Size)						02			
04 - ½ NPT Male									
14 - ¼ BSP Male (63mm Size)									
15 - ½ BSP Male									
Process Connection Location									
L - Lower							L		
B - Back									
Pressure Range (coding example only, see range table on page 3 for standard ranges)									
160# - 160 psi								160#	
Options (If choosing an option(s) must include a "X")									
FF - Front flange (lower and back connection)									X
FW - Back flange (lower connection only, N/A with depth selections F and G)									
NH - Stainless steel tag wired to case									
DA - Dial marking - text marking on dial									DA
BD - Black dial / white pointer									
YD - Yellow dial / black pointer									

SB Subsea Pressure Gauge

STANDARD PRESSURE RANGES				
	psi	bar	kPa	kg/cm²
Vacuum	15#	N1BR	N100KP	1KG
	-	N1/0.6BR	N100/60KP	1.6KG
Compound	30#	-	-	-
	-	2.5BR	250KP	2.5KG
	60#	4BR	400KP	4KG
	-	6BR	600KP	6KG
	100#	-	-	-
	-	10BR	1000KP	10KG
	160#	-	-	-
	200#	-	-	-
	-	16BR	1600KP	16KG
	300#	-	-	-
	-	25BR	2500KP	25KG
	400#	-	-	-
	500#	-	-	-
	600#	40BR	4000KP	40KG
	800#	-	-	-
	Positive Pressure	-	60BR	6000KP
1000#		-	-	-
1500#		100BR	10000KP	100KG
2000#		-	-	-
-		160BR	16000KP	160KG
3000#		-	-	-
-		250BR	25000KP	250KG
4000#		-	-	-
5000#		-	-	-
6000#		400BR	40000KP	400KG
8000#		-	-	-
-		600BR	60000KP	600KG
10000#		-	-	-
15000#		1000BR	100000KP	1000KG
20000#		-	-	-
-		1600BR	-	1600KG

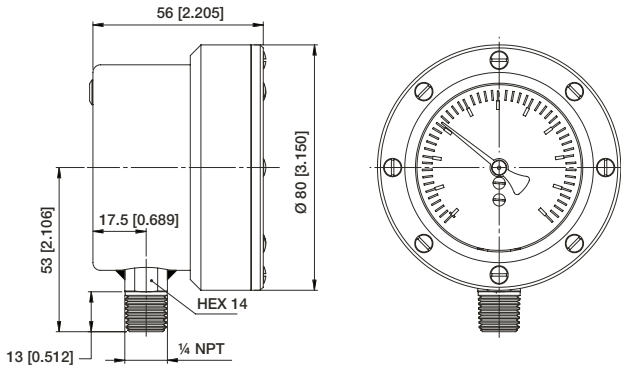
NOTE: 15000 psi maximum pressure range for 63mm size
 90 psi minimum range for 100, 140, 160 mm size

SB Subsea Pressure Gauge

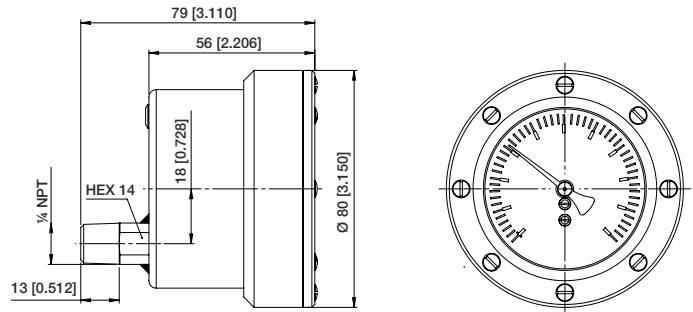
DIMENSIONS mm [in]

For reference only, consult Ashcroft for specific dimensional drawings

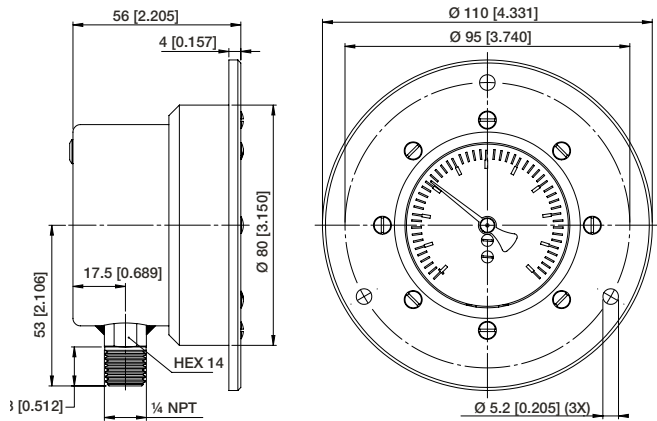
63mm SB Lower Connect, 1200 Meter



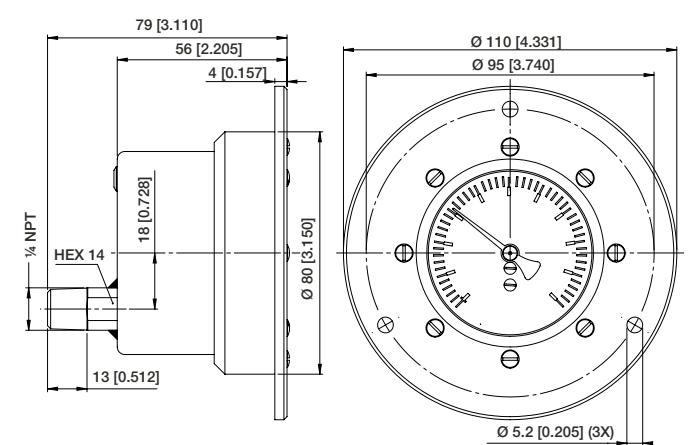
63mm SB Back Connect, 1200 Meter



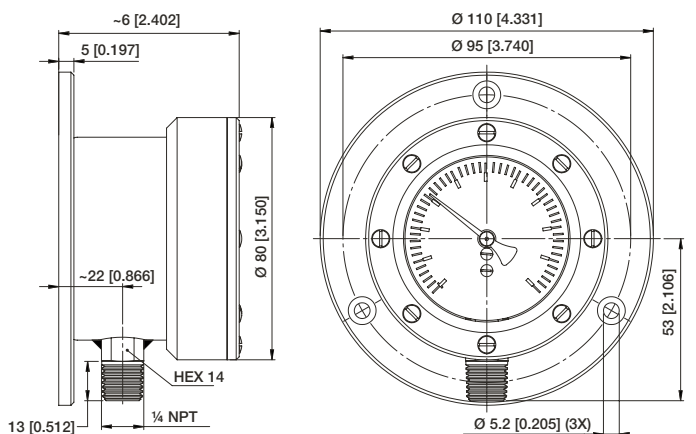
63mm SB Lower Connect (XFF), 1200 Meter



63mm SB Back Connect (XFF), 1200 Meter



63mm SB Lower Connect (XFW), 1200 Meter

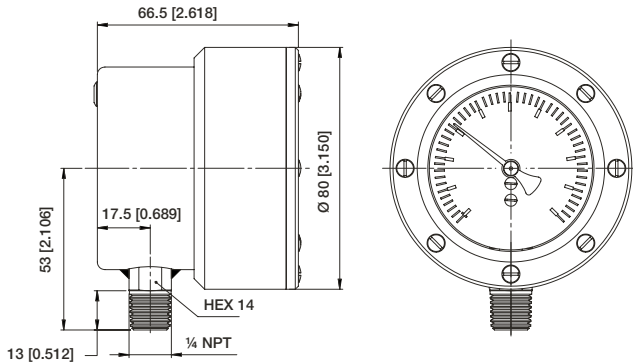


SB Subsea Pressure Gauge

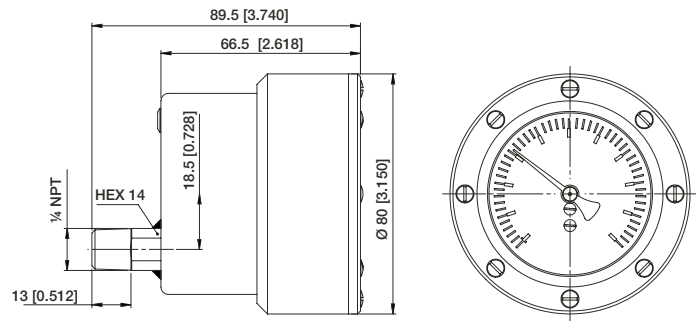
DIMENSIONS mm [in]

For reference only, consult Ashcroft for specific dimensional drawings

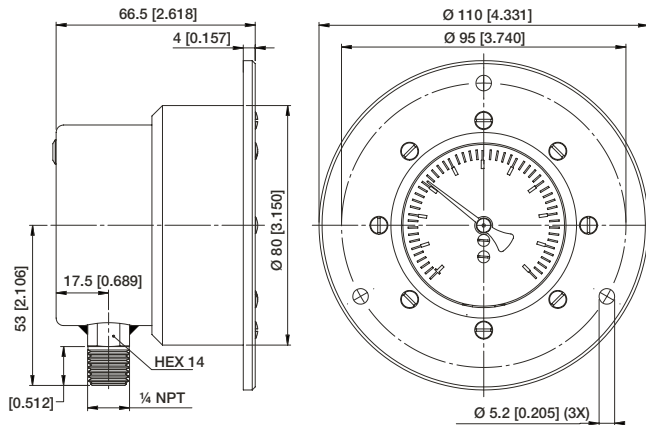
63mm SB Lower Connect, 2000 Meter



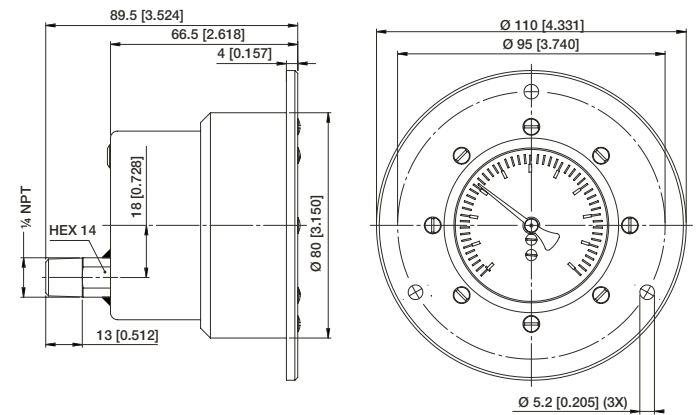
63mm SB Back Connect, 2000 Meter



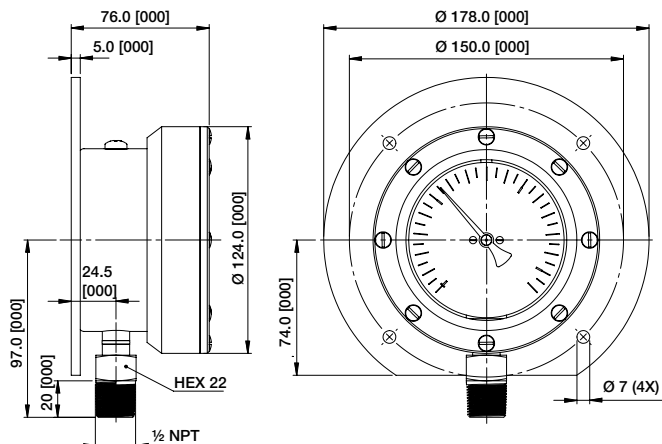
63mm SB Lower Connect (XFF), 2000 Meter



63mm SB Back Connect (XFF), 2000 Meter

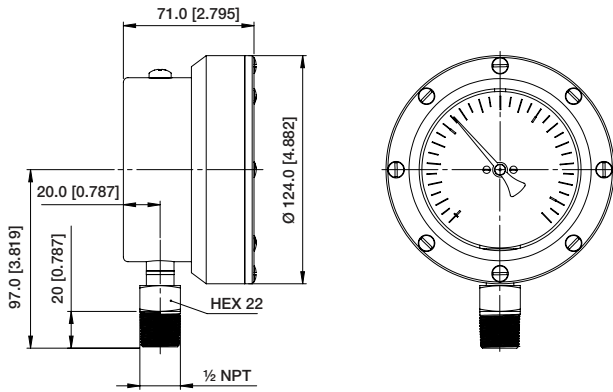


63mm SB Lower Connect (XFW), 2000 Meter

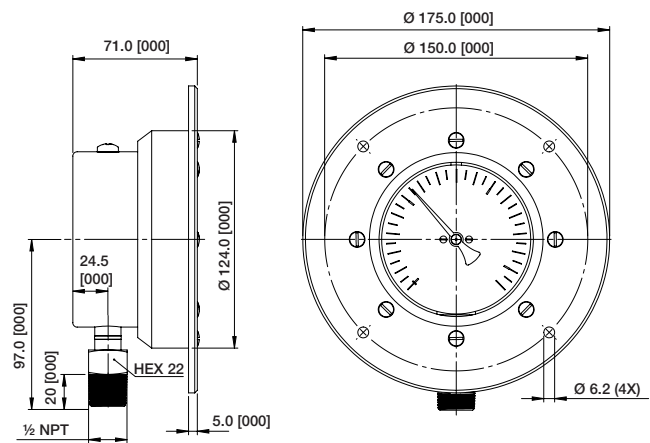


SB Subsea Pressure Gauge

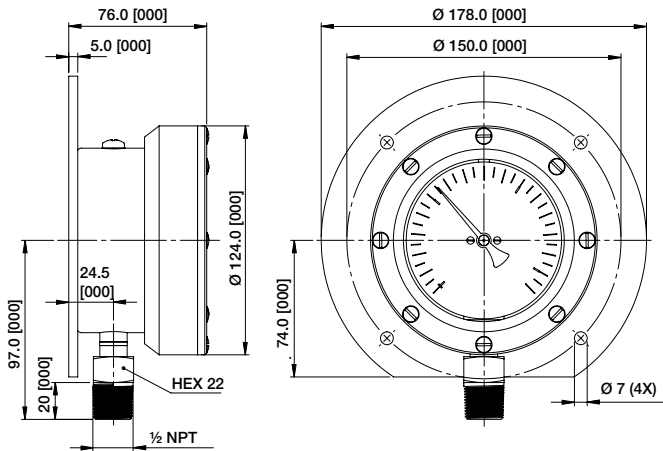
100mm SB Lower Connect, 900 meters



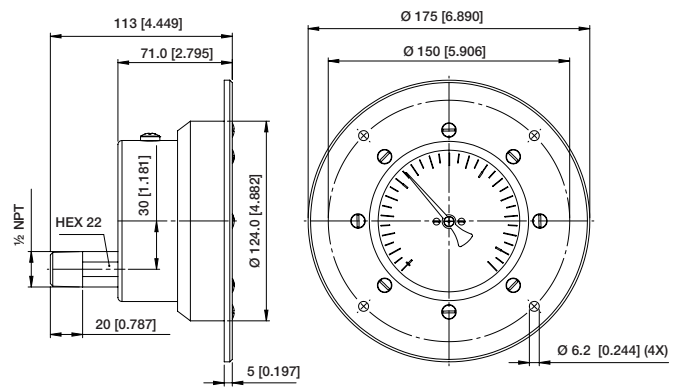
100mm SB Lower Connect, (XFF) 900 meters



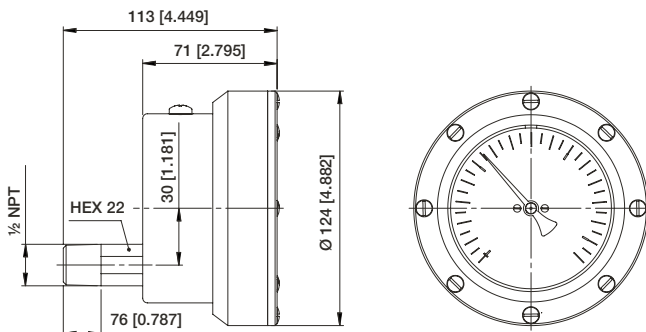
100mm SB Lower Connect, (XFW) 900 meters



100mm SB Back Connect, (XFF) 900 meters



100mm SB Back Connect, 900 meters

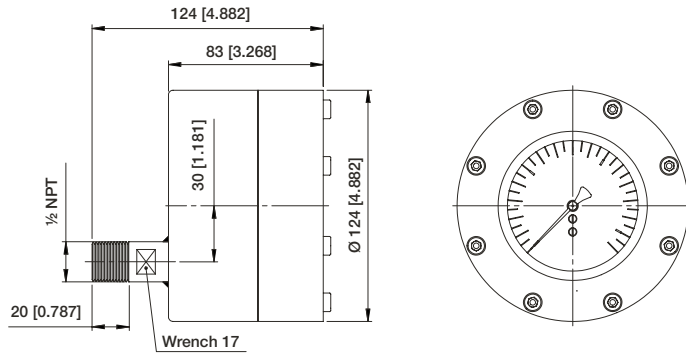


SB Subsea Pressure Gauge

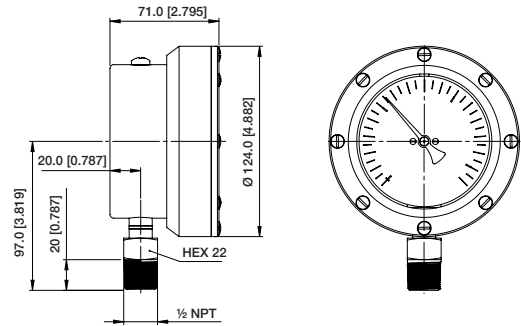
DIMENSIONS mm [in]

For reference only, consult Ashcroft for specific dimensional drawings

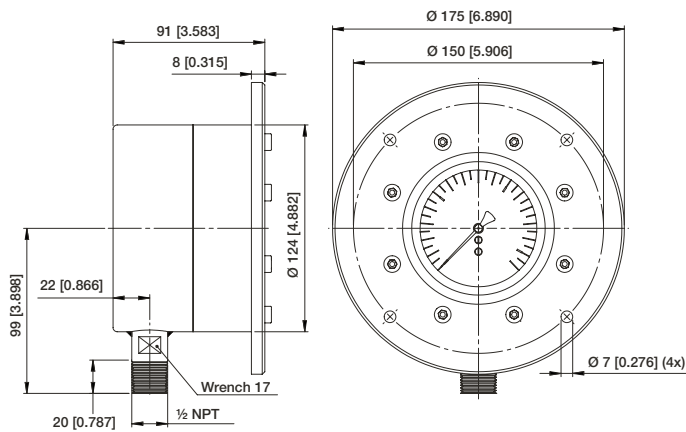
100mm SB Back Connect, 4000 meters



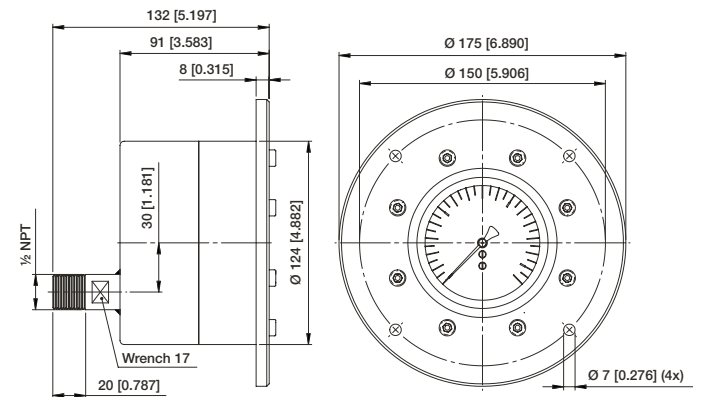
100mm SB Lower Connect, 4000 meters



100mm SB Lower Connect, (XFF) 4000 meters



100mm SB Back Connect, (XFF) 4000 meters

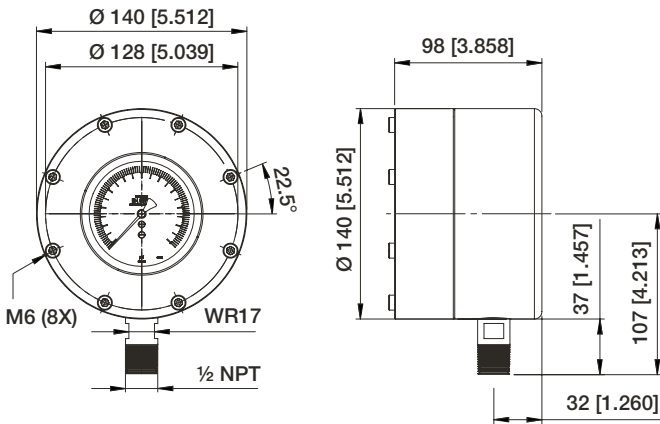


SB Subsea Pressure Gauge

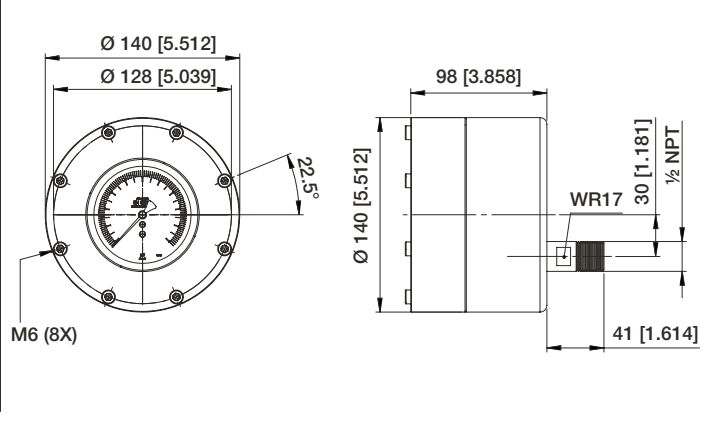
DIMENSIONS mm [in]

For reference only, consult Ashcroft for specific dimensional drawings

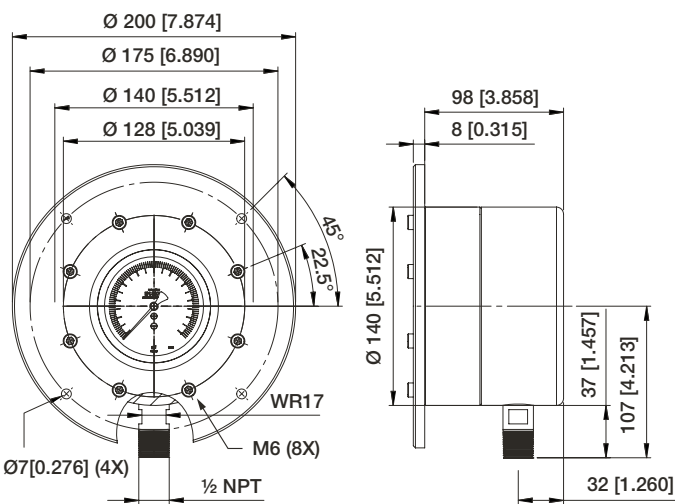
140mm SB Lower Connect, 6000 meters



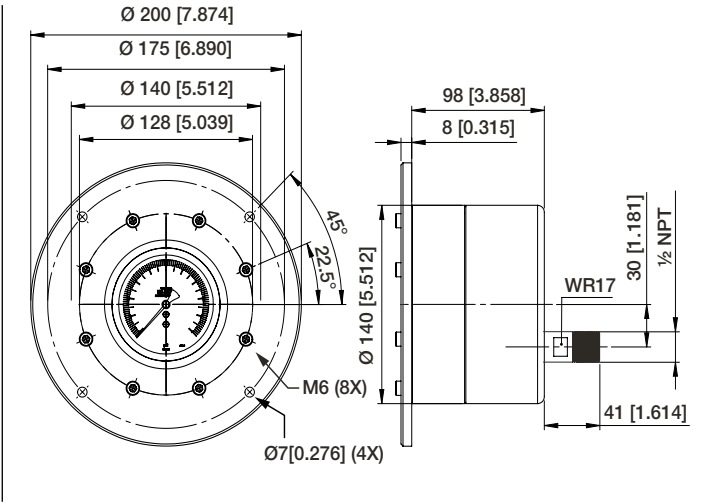
140mm SB Back Connect 6000 meters



140mm SB Lower Connect (XFF), 6000 meters



140mm SB Back Connect (XFF), 6000 meters

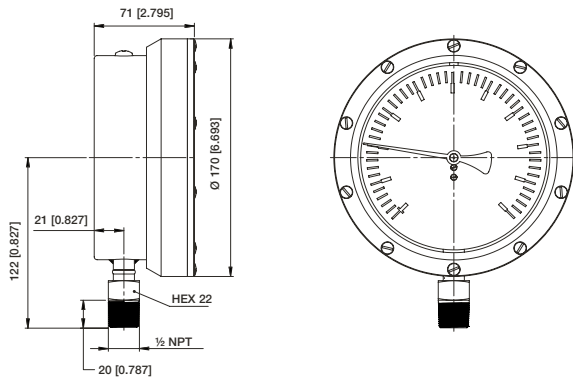


SB Subsea Pressure Gauge

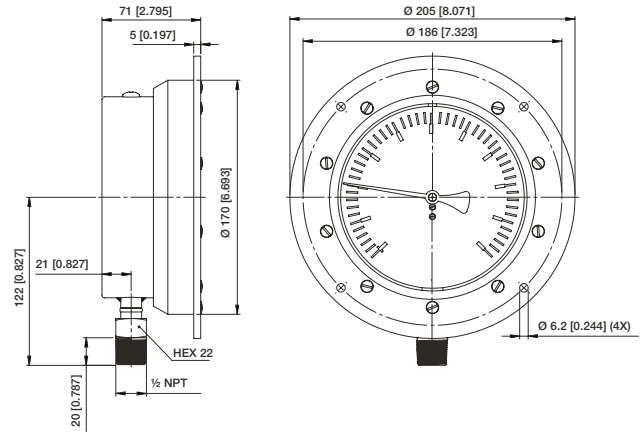
DIMENSIONS mm [in]

For reference only, consult Ashcroft for specific dimensional drawings

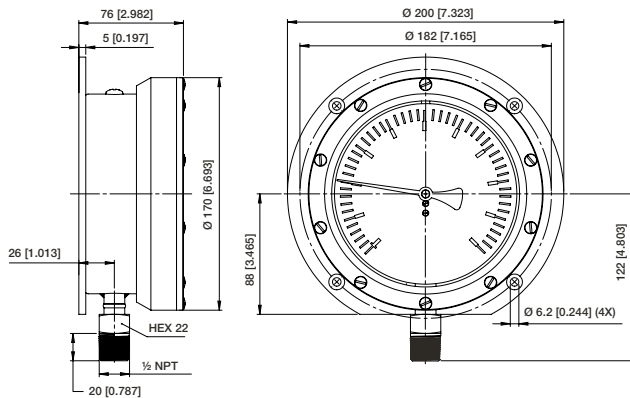
160mm SB Lower Connect, 450 meters



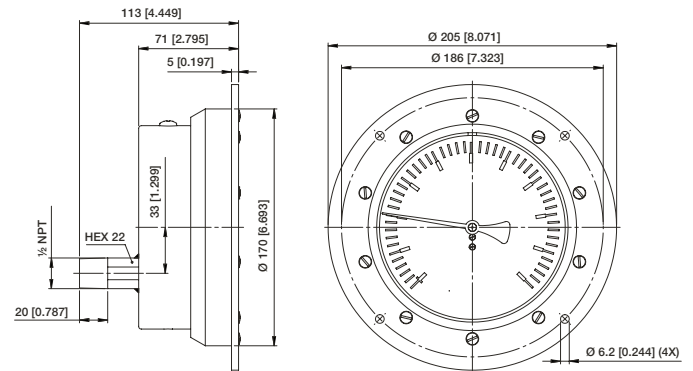
160mm SB Lower Connect (XFF), 450 meters



160mm SB Lower Connect (XFW), 450 meters



160mm SB Back Connect (XFF), 450 meters



160mm SB Back Connect, 450 meters

