

Data Sheet

SC Subsea Pressure Gauge

FEATURES

- Depths to 2500 meters
- 100% Glycerin filled
- Compensated case design
- All-Stainless steel design
- Meets RVA calibration standards

TYPICAL USES

- Offshore drilling
- Hyperbaric conditions
- Specialized deep depth



SC
100mm dial size

SPECIFICATIONS

| | |
|------------------------------|--|
| Accuracy: | ±1.0% of span |
| Case Size: | 100mm |
| Range: | 15 psi to 20,000 psi |
| Process Connection Location: | Lower, back |
| Process Connection: | ½ NPT or BSP |
| Case Style: | Open front |
| Fill Fluid | 100% Glycerin filled |
| Window Thickness: | 4mm |
| Movement: | 304 Stainless steel |
| Dial: | Aluminum, white background, black markings |
| Pointer: | Black, aluminum |
| Ring: | Bayonet lock |
| Weather Protection: | IP68 (water depth) |
| Mounting: | Direct, panel or surface |
| Operating Temperature: | 40°F to 120°F (4°C to 50°C) |
| Approvals: | CE |

NON-WETTED COMPONENTS

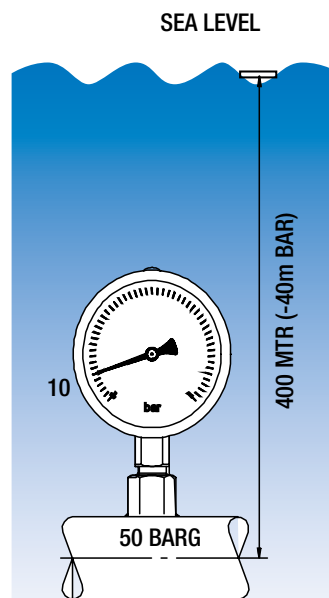
| | |
|--------------------|----------------------|
| Case | 316L Stainless steel |
| Screwed Bezel Ring | 316L Stainless steel |

WETTED COMPONENTS

| | |
|---------------------|----------------------|
| Bourdon Tube | 316L Stainless steel |
| Pressure Connection | 316L Stainless steel |

KEY BENEFITS

- Economical design for subsea applications
- Provides pressure measurement to extreme depths
- Corrosion resistant construction



Compensated Case Design:

The economical model SC is 100% glycerin filled with an integral compensation device. Its design provides a means of equalizing internal case pressure with that of the external ambient pressure when the gauge is submerged to the desired depth (<2500 meters). This allows the gauge to operate without requiring a costly enclosure that relies solely upon case/window strength to withstand external subsea pressure. The compensated gauge indicates pressure by comparing the measured pressure source to the local ambient pressure.

Data Sheet

SC Subsea Pressure Gauge

| ORDERING CODE | Example: | 10SC | E | S | G | 04 | L | 160# | -XDA |
|---|----------|------|---|---|---|----|---|------|------|
| Case Size/Model Code | | | | | | | | | |
| 10SC - SC Subsea Gauge, 100mm | | 10SC | | | | | | | |
| Depth (≤) | | | | | | | | | |
| E - 2500 Meters (100mm Size) | | | E | | | | | | |
| System Tube | | | | | | | | | |
| S - 316L Tube & process connection | | | | S | | | | | |
| Fill Fluid | | | | | | | | | |
| G - Glycerin | | | | | G | | | | |
| Process Connection Sizes | | | | | | | | | |
| 04 - ½ NPT Male | | | | | | 04 | | | |
| 15 - ½ BSP Male | | | | | | | | | |
| Process Connection Location | | | | | | | | | |
| L - Lower | | | | | | | L | | |
| B - Back | | | | | | | | | |
| Pressure Range (coding example only, see range table on page 3 for standard ranges) | | | | | | | | | |
| 160# - 160 psi | | | | | | | | 160# | |
| Options (If choosing an option(s) must include a "X") | | | | | | | | | X |
| FF - Front flange (lower and back connection) | | | | | | | | | |
| FW - Back flange (lower connection only) | | | | | | | | | |
| NH - Stainless steel tag wired to case | | | | | | | | | |
| DA - Dial marking - text marking on dial | | | | | | | | | DA |
| BD - Black dial / white pointer | | | | | | | | | |
| YD - Yellow dial / black pointer | | | | | | | | | |
| CD-1 - Certificate of conformance to specifications and/or drawings (standard) | | | | | | | | | |
| CD-1A - Certificate of conformance to specifications and/or drawings (non-standard) cost per list/order | | | | | | | | | |

SC Subsea Pressure Gauge

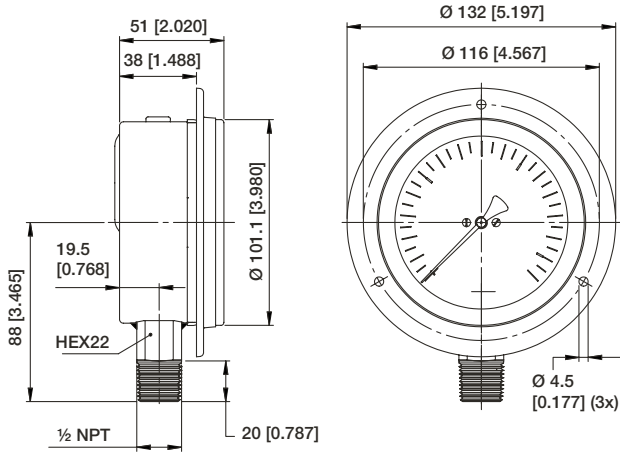
| STANDARD PRESSURE RANGES | | | | |
|---------------------------------|------------|------------|------------|--------------------------|
| | psi | bar | kPa | kg/cm² |
| Vacuum | 15# | N1BR | N100KP | 1KG |
| | - | N1/0.6BR | N100/60KP | 1.6KG |
| Compound | 30# | - | - | - |
| | - | 2.5BR | 250KP | 2.5KG |
| | 60# | 4BR | 400KP | 4KG |
| | - | 6BR | 600KP | 6KG |
| | 100# | - | - | - |
| | - | 10BR | 1000KP | 10KG |
| | 160# | - | - | - |
| | 200# | - | - | - |
| | - | 16BR | 1600KP | 16KG |
| | 300# | - | - | - |
| Positive Pressure | - | 25BR | 2500KP | 25KG |
| | 400# | - | - | - |
| | 500# | - | - | - |
| | 600# | 40BR | 4000KP | 40KG |
| | 800# | - | - | - |
| | - | 60BR | 6000KP | 60KG |
| | 1000# | - | - | - |
| | 1500# | 100BR | 10000KP | 100KG |
| | 2000# | - | - | - |
| | - | 160BR | 16000KP | 160KG |
| | 3000# | - | - | - |
| | - | 250BR | 25000KP | 250KG |
| | 4000# | - | - | - |
| | 5000# | - | - | - |
| | 6000# | 400BR | 40000KP | 400KG |
| | 8000# | - | - | - |
| - | 600BR | 60000KP | 600KG | |
| 10000# | - | - | - | |
| 15000# | 1000BR | 100000KP | 1000KG | |
| 20000# | - | - | - | |
| - | 1600BR | - | 1600KG | |

SC Subsea Pressure Gauge

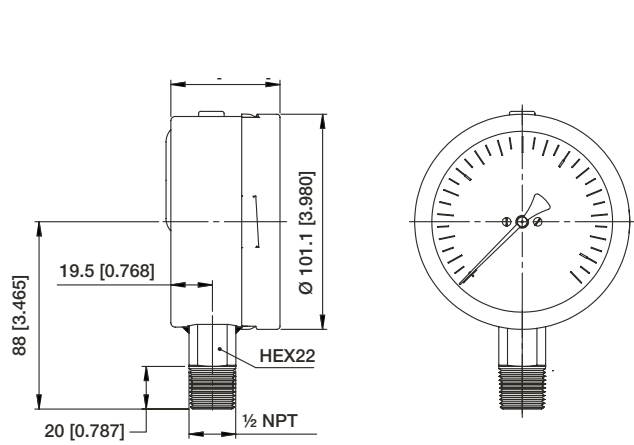
DIMENSIONS mm [in]

For reference only, consult Ashcroft for specific dimensional drawings

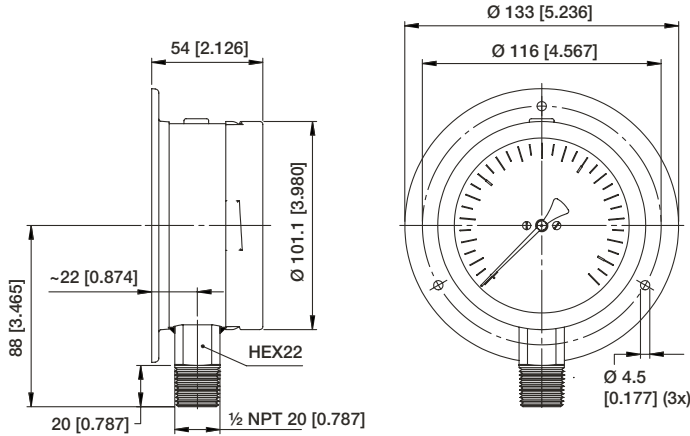
100mm SC Lower Connect (XFF), 2500 meters



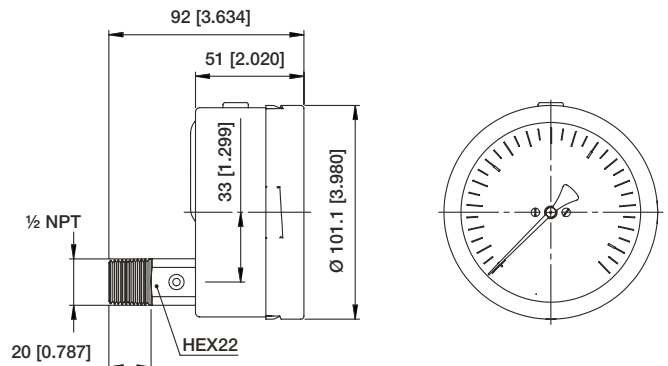
100mm SC Lower Connect, 2500 meters



100mm SC Lower Connect (XFW), 2500 meters



100mm SC Back Connect, 2500 meters



100mm SC Back Connect (XFW), 2500 meters

